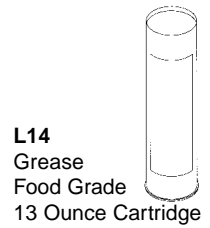


LUBRICANTS

Our mineral oils are the highest food grade available. They meet or exceed requirements set forth by the U.S. FDA. Certified as Kosher with the Union of Jewish Congregations of America



L14
Grease
Food Grade
13 Ounce Cartridge

Extends 7"

NEW

L04
Mineral Oil
4 Ounce Bottle
w/Dropper Top

L04T
Mineral Oil
4 Ounce Bottle
w/Telescoping Nozzle

L16
Mineral Oil
16 Ounce Bottle

L02
Dropper Top
Fits -16 Ounce Bottle

L09
Spray Head
Fits -32 Ounce Bottle

L32
Mineral Oil
32 Ounce Bottle

L64
Mineral Oil
64 Ounce Bottle

ON ORDERS OF 25 OR MORE OF ANY SIZE BOTTLES WE CAN AT NO CHARGE PRINT OUT LABELS THAT WILL IDENTIFY **YOUR** COMPANY NAME AND PHONE NUMBER.

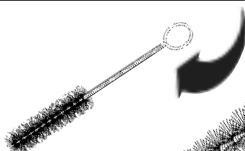
QUANTITY PRICING IS AVAILABLE ON 1/2 GALLONS

CLEANING BRUSHES

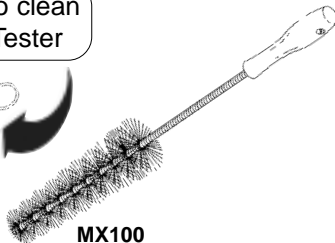
These two brushes are used to clean glassware in the Hobart Fat Tester



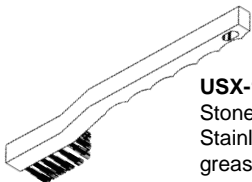
MX101
Funnel
Cleaning Brush
6 1/2" Long
1/4" Diameter



MX102
Test tube
Cleaning brush
9" Long
3/4" Diameter

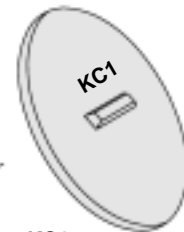
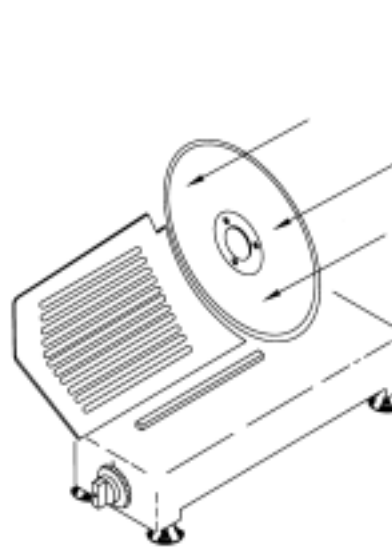


MX100
Machine
Cleaning Brush
18" Long
2" Diameter



USX-100
Stone Cleaning Brush
Stainless steel wire brush helps to clean grease clogged sharpening stones

SLICER SAFETY COVERS



KC1
Knife Safety Cover
(Plastic) (NBS Lip design)
11" & 12" Slicer Knives

KC2
Knife Safety Cover
(Plastic) (NBS Lip design)
12 1/2" Slicer Knives

SC-02
Knife Safety Cover
(Plastic) (Two magnet design)
12 1/2" Slicer Knives
WHILE SUPPLY LASTS

Don't let the exposed razor-sharp slicer knife become a hazard for the repairman and the slicer operator. Use the KC1 or KC2 safety covers to save FINGERS and \$\$\$\$\$.

NBS P/N	OEM P/N	DESCRIPTION
L01	N/A	Spray Head - Fits 16 oz Bottle
L02	N/A	Dropper Top - Fits 16 oz Bottle
L04	N/A	Mineral Oil - 4 oz bottle (w/dropper top)
L04T	N/A	Mineral Oil - 4 oz bottle (with Telescoping Nozzle)
L09	N/A	Spray Head - Fits 32 oz Bottle
L14	N/A	Grease - 13 oz cartridge
L16	N/A	Mineral Oil - 16 oz bottle
L32	N/A	Mineral Oil - 32 oz bottle
L64	N/A	Mineral Oil - 64 oz bottle (1/2 gallon)
MX100	3675-0227	Machine Cleaning Brush
MX101	76368	Funnel Cleaning Brush
MX102	76367	Test Tube Cleaning Brush
USX-100	N/A	Stone Cleaning Brush

NBS P/N	OEM P/N	DESCRIPTION	CAN BE USED ON MOST MANUFACTURERS SLICING MACHINES
KC1	N/A	Knife Safety Cover	
KC2	N/A	Knife Safety Cover	
SC-02	N/A	Knife Safety Cover	

The above described parts are supplied by **National Band Saw Company** as replacement parts for **Hobart** equipment.

LUBRICANTS - BRUSHES
SLICER SAFETY COVERS