



The following parts have been introduced since our previous catalog - April 2001

MIXER BOWLS



STAINLESS STEEL

- MB20
- MB30
- MB60

MIXER ACCESSORIES



J DOUGH HOOK "E"
 MJ20
 MJ30



SPIRAL DOUGH HOOK "ED"
 MS20
 MS30



FLAT PADDLE "B"
 MF20
 MF30



PASTRY PADDLE "P"
 MP20
 MP30



WIRE WHIP "D"
 MW20
 MW30

STAINLESS STEEL

The above described parts are supplied by **National Band Saw Company** as replacement parts for **Hobart** equipment.



The following parts have been introduced since our previous catalog - April 2001

GRINDER PLATE PINS

BIRO

GR16
GR17
GR18
GR19



Biro Grinder Plate Pins

BUTCHER BOY

GR21



Butcher Boy Special Screw

BUTCHER BOY

GR14
GR15
GR20



Butcher Boy Grinder Plate Pins

HOLLYMATIC

GR18
GR20



Hollymatic Grinder Plate Pins

RINGS & STUDS

BIRO

B607

Feed Screw Stud -32
Short



HOBART

H520

Meat Deflector
fits Hobart 32 Grinders
Model 4246



HOLLYMATIC

HL507

Grinder Stud -32



HL501

Grinder Ring -32



GRINDER WRENCHES

HOBART

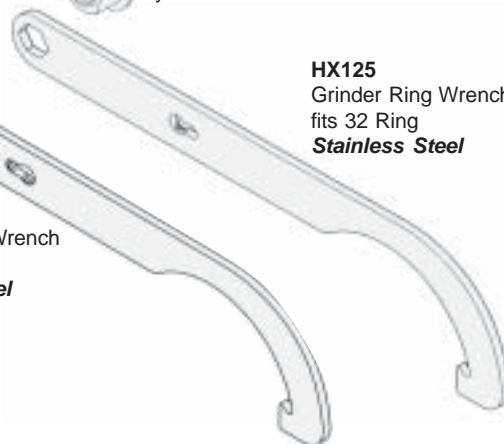
H510

Cylinder Hex Nut



HX125

Grinder Ring Wrench
fits 32 Ring
Stainless Steel



HX100

Grinder Ring Wrench
Square Nut
Stainless Steel



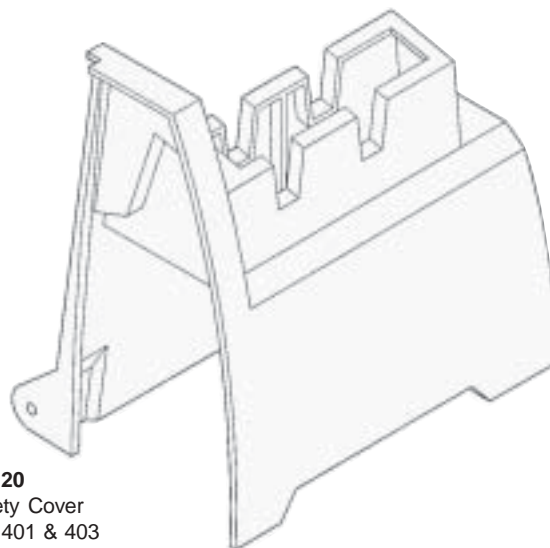
Hollymatic® is a registered trademark of the Hollymatic® Corp.

The above described parts are supplied by **National Band Saw Company** as replacement parts for **Butcher Boy, Hobart & Hollymatic** equipment.



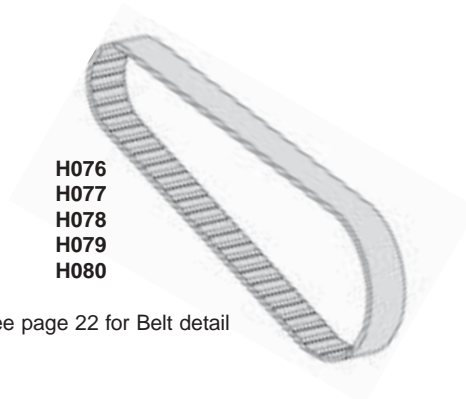
The following parts have been introduced since our previous catalog - April 2001

HOBART TENDERIZER



HT120
Safety Cover
Fits 401 & 403

HOLLYMATIC MODEL 54 "SUPER" PATTY MACHINE PAPER FEED TIMING BELTS



H076
H077
H078
H079
H080

See page 22 for Belt detail

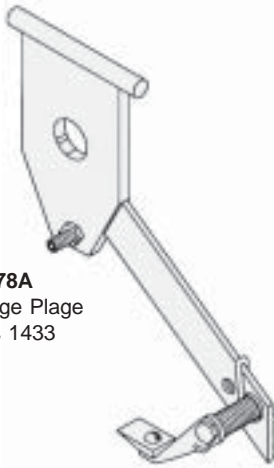
Hollymatic® is a registered trademark of the Hollymatic® Corp.

The above described parts are supplied by **National Band Saw Company** as replacement parts for **Hobart & Hollymatic** equipment.

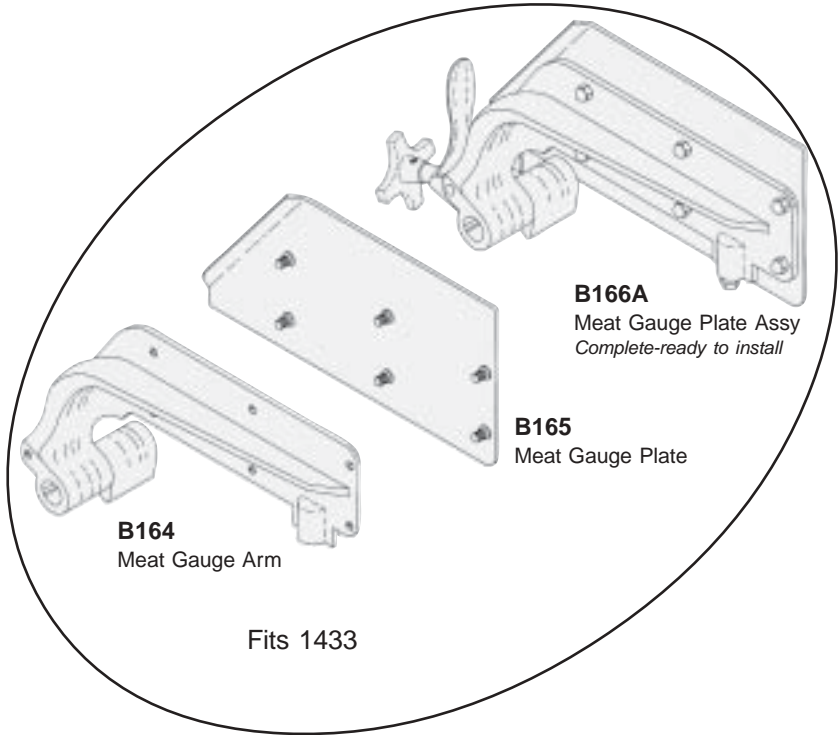


The following parts have been introduced since our previous catalog - April 2001

BIRO SAWS



B078A
Hinge Plage
Fits 1433

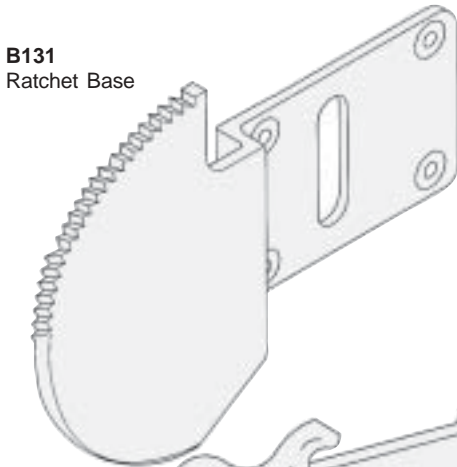


B166A
Meat Gauge Plate Assy
Complete-ready to install

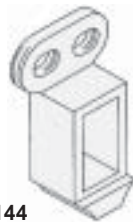
B165
Meat Gauge Plate

B164
Meat Gauge Arm

Fits 1433



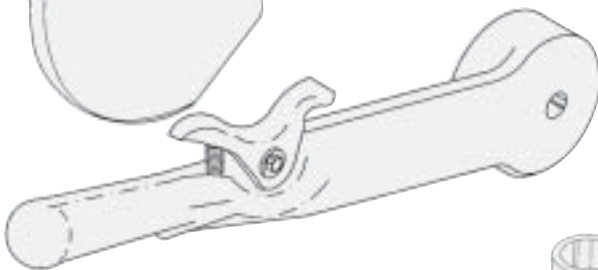
B131
Ratchet Base



B144
Cleaner Bracket Holder



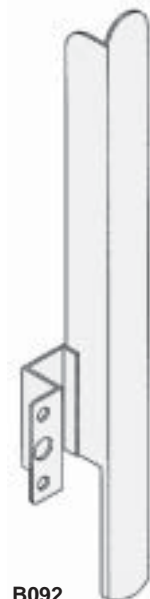
B095
Blade Guard
Fits 1433



B130
Ratchet Arm



B154
Tension Pin Cap



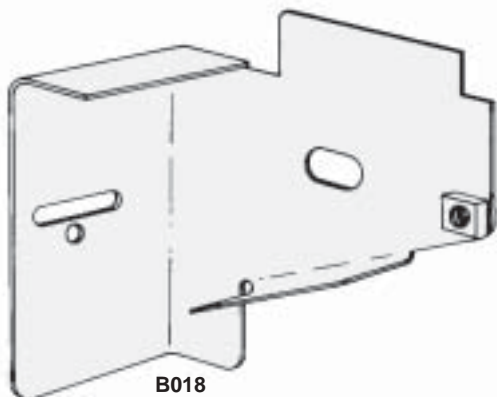
B092
Blade Guard
Fits 3334

The above described parts are supplied by **National Band Saw Company** as replacement parts for **Biro** equipment.

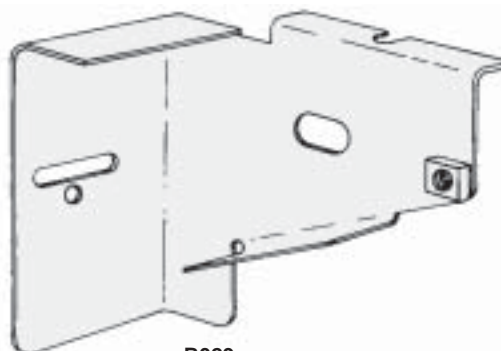


The following parts have been introduced since our previous catalog - April 2001

**BIRO SAWS
NOW AVAILABLE
IN
STAINLESS STEEL**



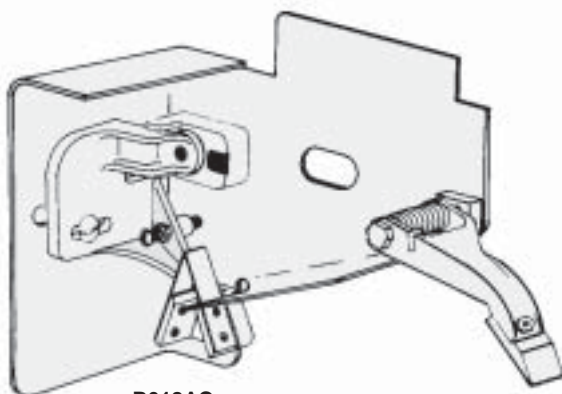
B018
Cleaning Unit Stamping
Stainless Steel



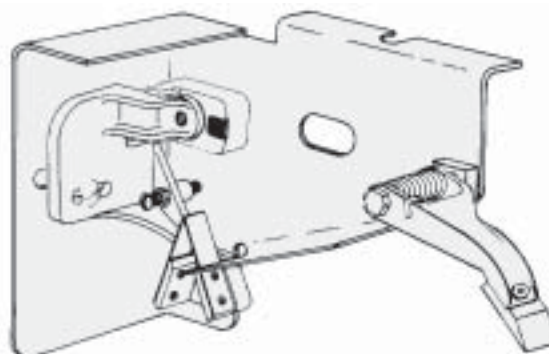
B029
Cleaning Unit Stamping
Stainless Steel



B019
Wheel Cleaner Arm -
Stainless Steel



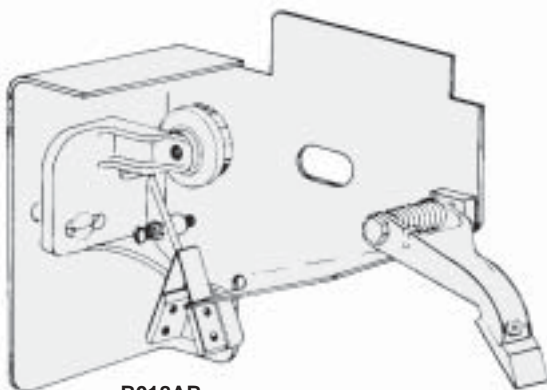
B018AC
Cleaning Unit Assembly
Complete with Carbide Block
Stainless Steel



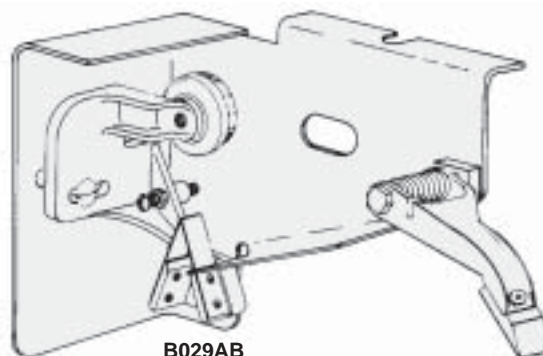
B029AC
Cleaning Unit Assembly
Complete with Carbide Block
Stainless Steel



B019A
Wheel Cleaner Assy -
Stainless Steel



B018AB
Cleaning Unit Assembly
Complete with Bearing
Stainless Steel



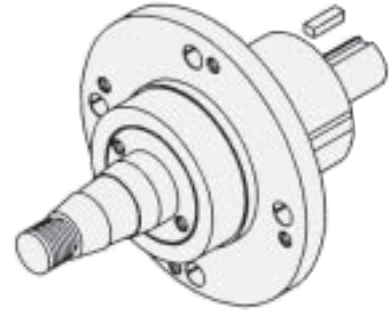
B029AB
Cleaning Unit Assembly
Complete with Bearing
Stainless Steel

The above described parts are supplied by **National Band Saw Company** as replacement parts for **Biro** equipment.

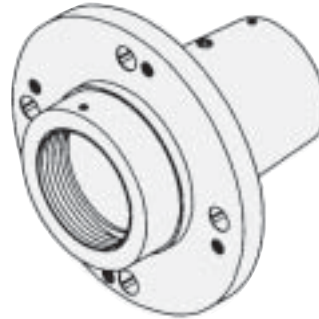


The following parts have been introduced since our previous catalog - April 2001

BIRO SAWS
Fits 1433

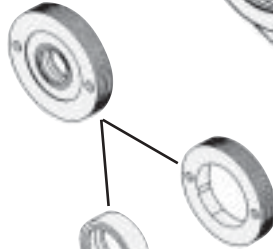


B181A
Lower Bearing Housing Assembly



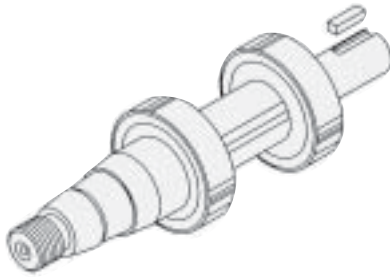
B180
Lower Bearing Housing

B177
Lower Shaft Seal & Lower Bearing
Housing Cap



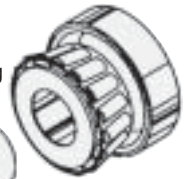
B179
Lower Bearing Housing Cap

B178
Grease Seal



B182A
Lower Shaft & Bearing Assembly

BMB523-578
Lower Main Bearing
TIMKEN®



B175
Retaining Ring, Small



BMB523-578
Lower Main Bearing
TIMKEN®



B176
Spacer



B174
Retaining Ring, Internal



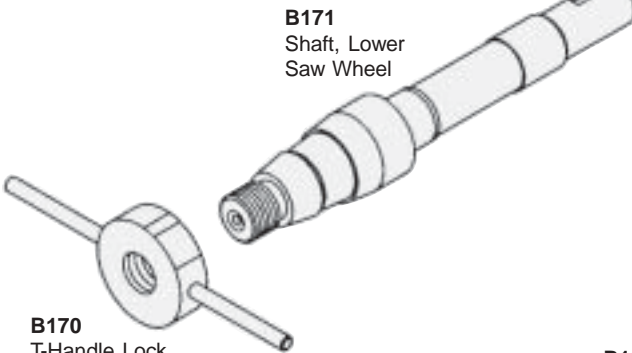
B173
Grease Seal



B172
Key



B171
Shaft, Lower
Saw Wheel



B167U
Upper Wheel



B170
T-Handle Lock



B183L
Lower Wheel



The above described parts are supplied by **National Band Saw Company** as replacement parts for **Biro** equipment.



The following parts have been introduced since our previous catalog - April 2001

BUTCHER BOY SAWS



BB084
Guard Extension
Stainless Steel



BB094
Screw
Attaches blade
guard to roller mount



BB036
Slide Plate

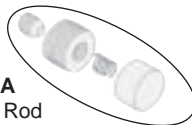
HOBART SAWS



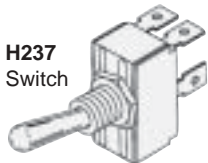
H236
Plug Button



HX325
Slide Rod Adjusting
Screw Removal Tool



H235A
Slide Rod
Adjusting Screw Assy



H237
Switch



H241
Front Blade Guard
Stainless Steel

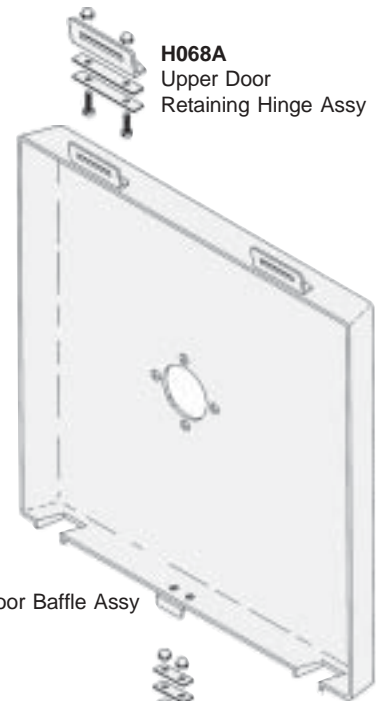


H240
Upper Shaft Bearing
(Front & Rear)



H239
Front Shaft Seal

H240
Rear Shaft Seal



H067
Upper Door Baffle Assy

H068A
Upper Door
Retaining Hinge Assy



H069A
Upper Door
Retaining Clip Assy



H147
Knob

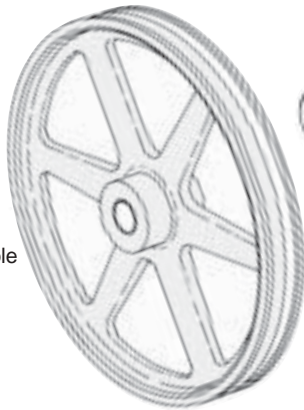
The above described parts are supplied by **National Band Saw Company** as replacement parts for **Butcher Boy & Hobart** equipment.



The following parts have been introduced since our previous catalog - April 2001

HOLLYMATIC SAWS Fits High-Yield 16

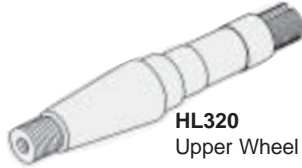
HL322U
Upper Saw Wheel
-Tapered Shaft Hole



HL321
Shaft Nut -Upper



HL320
Upper Wheel Shaft



HL327
Tongued Washer



HL328
Lock Washer



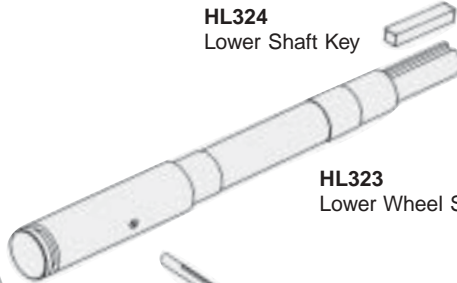
HL329
Lock Nut



HL324
Lower Shaft Key



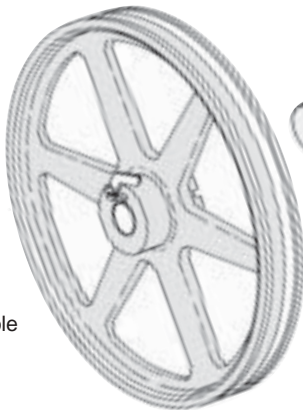
HL323
Lower Wheel Shaft



HL325
Lower Wheel Shaft Pin



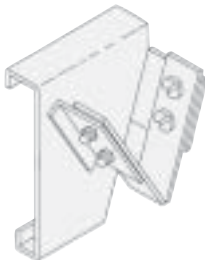
HL326L
Lower Saw Wheel
-Straight Shaft Hole



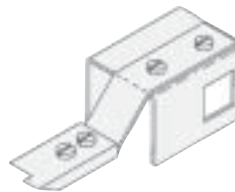
HL318
Table Roller



HL317
Blade Scraper Bracket Assy -
Stainless Steel



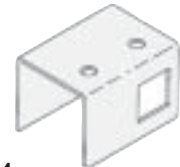
HL315
Wheel Scraper Bracket Assy -
Stainless Steel



HL316
Blade Scraper Bracket -
Stainless Steel



HL314
Wheel Scraper Bracket -
Stainless Steel



Hollymatic® is a registered trademark of the Hollymatic® Corp.

The above described parts are supplied by **National Band Saw Company** as replacement parts for **Hollymatic** equipment.



The following parts have been introduced since our previous catalog - April 2001

BIZERBRA SLICER

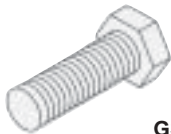
BZ035
Carriage Handle



BZ036
Handle Screw



GLOBE SLICER

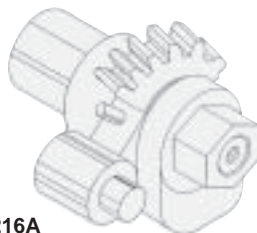


GS203
Sharpener Bracket
Mount Screw
Stainless Steel

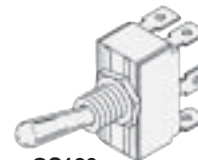


GSK-1
11 1/2" Diameter
*(Stainless Steel -
Hollow Ground)*

Fits newer models
3600, 3850, 3975



GS216A
Table Adjusting Gear Assy



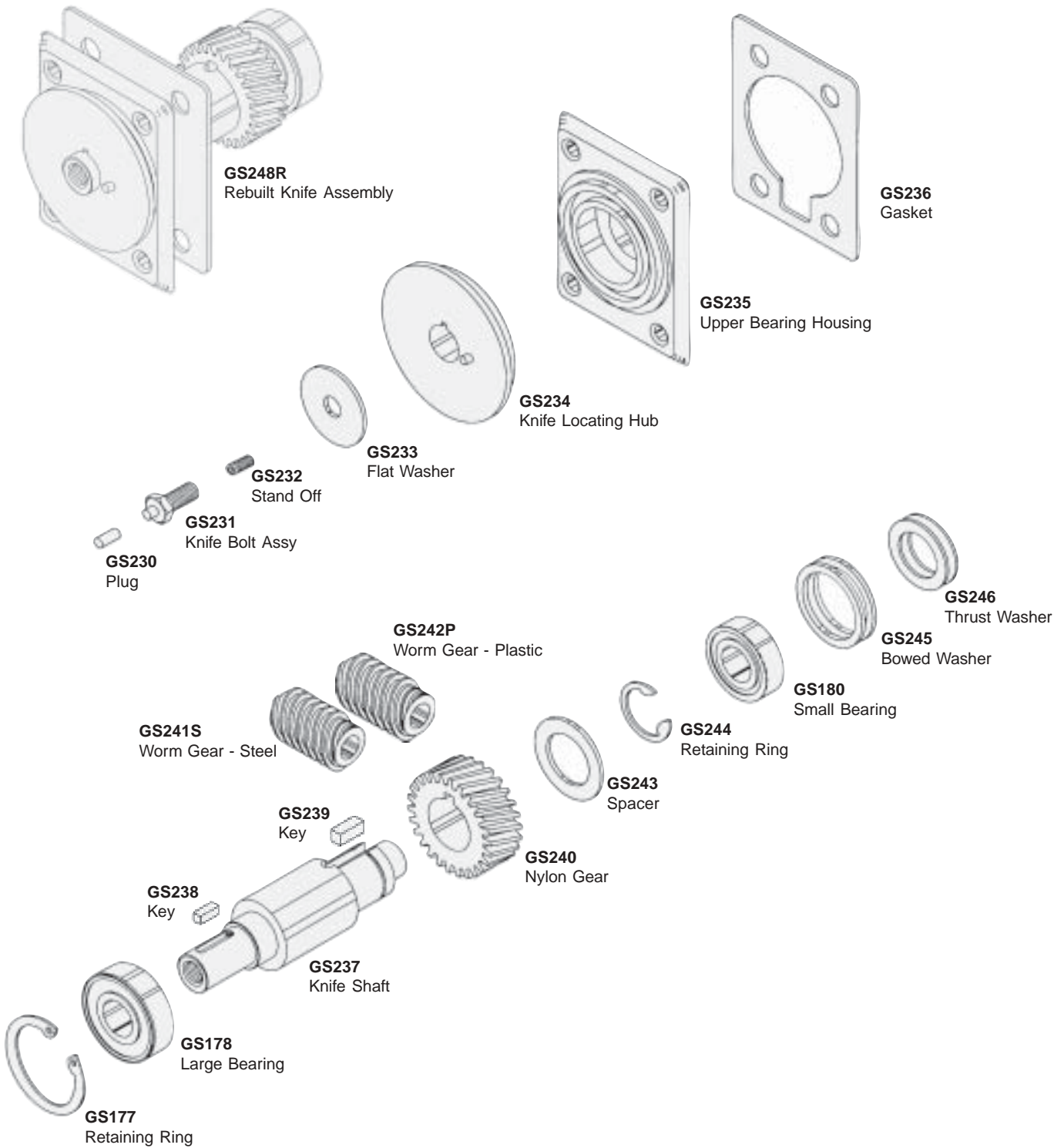
GS189
Toggle Switch
(3 Position)

The above described parts are supplied by **National Band Saw Company** as replacement parts for **Bizerba & Globe** equipment.



The following parts have been introduced since our previous catalog - April 2001

GLOBE SLICER

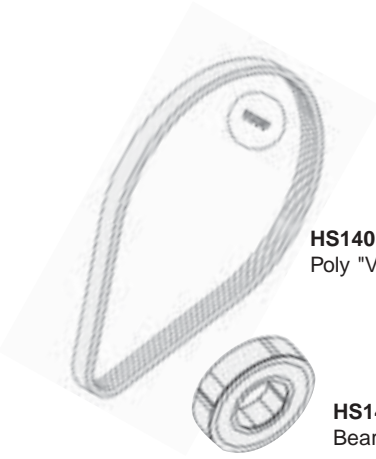


The above described parts are supplied by **National Band Saw Company** as replacement parts for **Globe** equipment.



The following parts have been introduced since our previous catalog - April 2001

HOBART SLICER



HS140
Poly "V" Belt

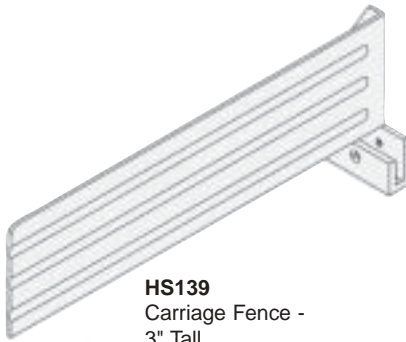
HS141
Bearing



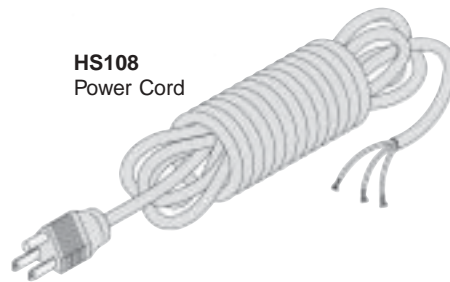
HS106
Motor Starting Capacitor



HS142
Switch



HS139
Carriage Fence -
3" Tall
Stainless Steel



HS108
Power Cord

U.S. BERKEL SLICER



US123
Knife Pulley Belt
Length = 17 1/2"
Width = 1/2"



BST-6



BSK-3
Stainless Steel
12 1/2" Diameter
Fits 2340, 2350
3340, 3350

The above described parts are supplied by **National Band Saw Company** as replacement parts for **Hobart** equipment.



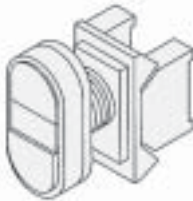
The following parts have been introduced since our previous catalog - April 2001

U.S. BERKEL SLICER

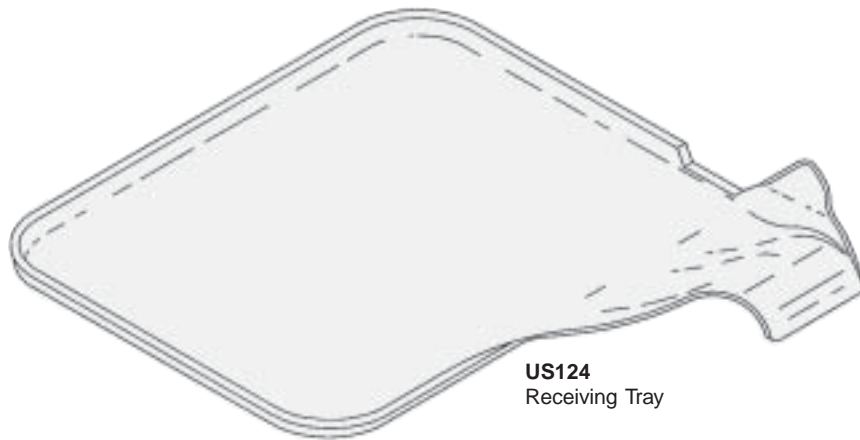
US102
Switch Boot



US101
On Off Switch



US126
Relay



US124
Receiving Tray

The above described parts are supplied by **National Band Saw Company** as replacement parts for **U.S. Berkel** equipment.