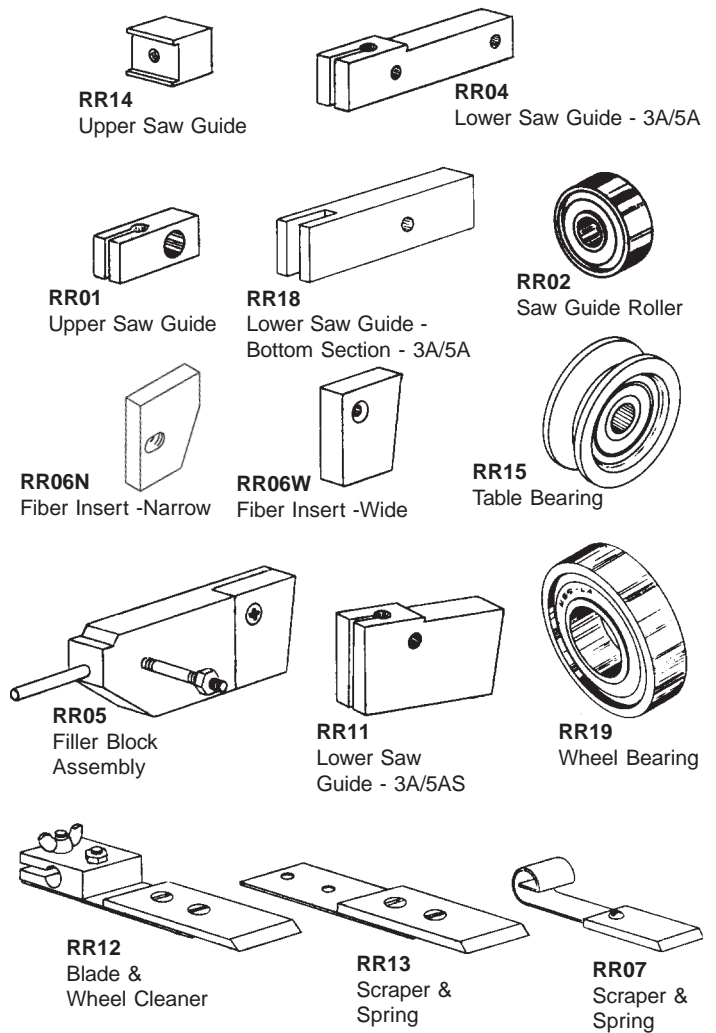
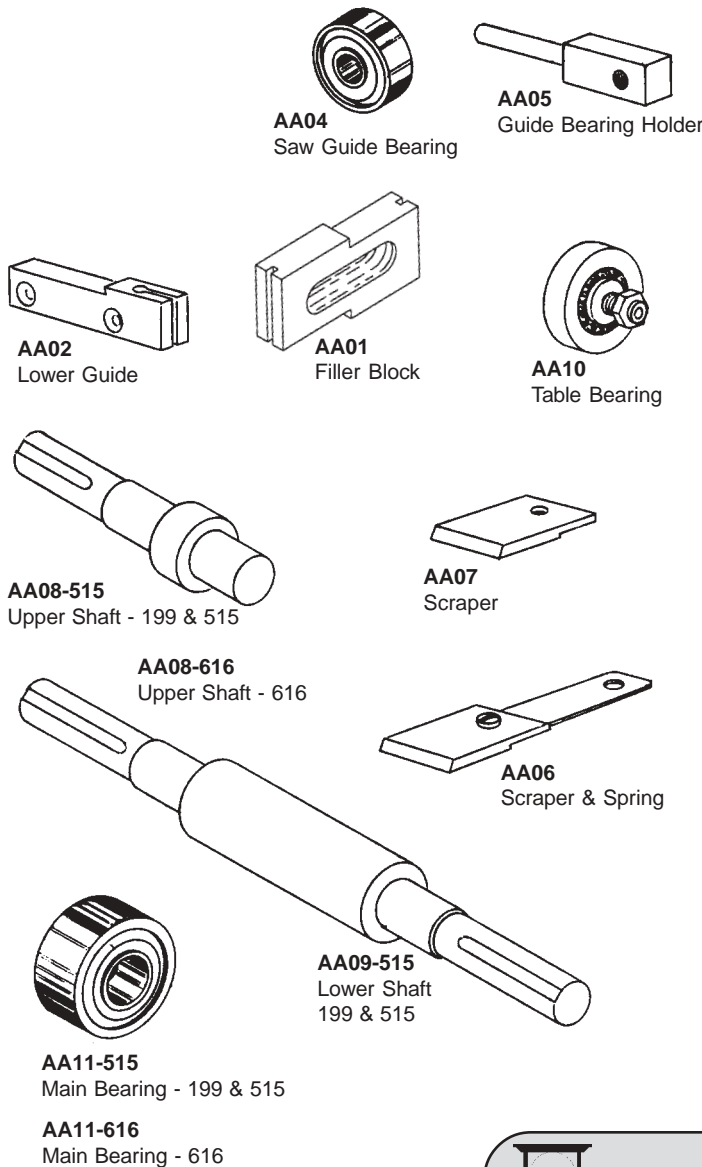


**ALL AMERICAN**

**REGAL**



**AVAILABLE WHILE SUPPLIES LAST**

**ALL AMERICAN**

NBS P/N	DESCRIPTION
AA01	Filler Block
AA02	Lower Guide
AA04	Saw Guide Bearing
AA05	Guide Bearing Holder
AA06	Scraper & Spring
AA07	Scraper
AA08-515	Upper Shaft - 199 & 515
AA08-616	Upper Shaft - 616
AA09-515	Lower Shaft - 199 & 515
AA09-616	Lower Shaft - 616
AA10	Table Bearing
AA11-515	Main Bearing - 199 & 515
AA11-616	Main Bearing - 616

**REGAL**

NBS P/N	DESCRIPTION
RR01	Upper Saw Guide
RR02	Saw Guide Roller
RR04	Lower Saw Guide - 3A/5A
RR05	Filler Block Assembly
RR06N	Fiber Insert - Narrow
RR06W	Fiber Insert - Wide
RR07	Scraper & Spring
RR11	Lower Saw Guide - 3AS/5AS
RR12	Blade & Wheel Cleaner
RR13	Scraper & Spring
RR14	Upper Saw Guide
RR15	Table Bearing
RR18	Lower Saw Guide - Bottom Section 3A/5A
RR19	Wheel Bearing

The above described parts are supplied by **National Band Saw Company** as replacement parts for **All American & Regal** equipment.

**REGAL ALL AMERICAN**